

5-60mm DC 1:1.6

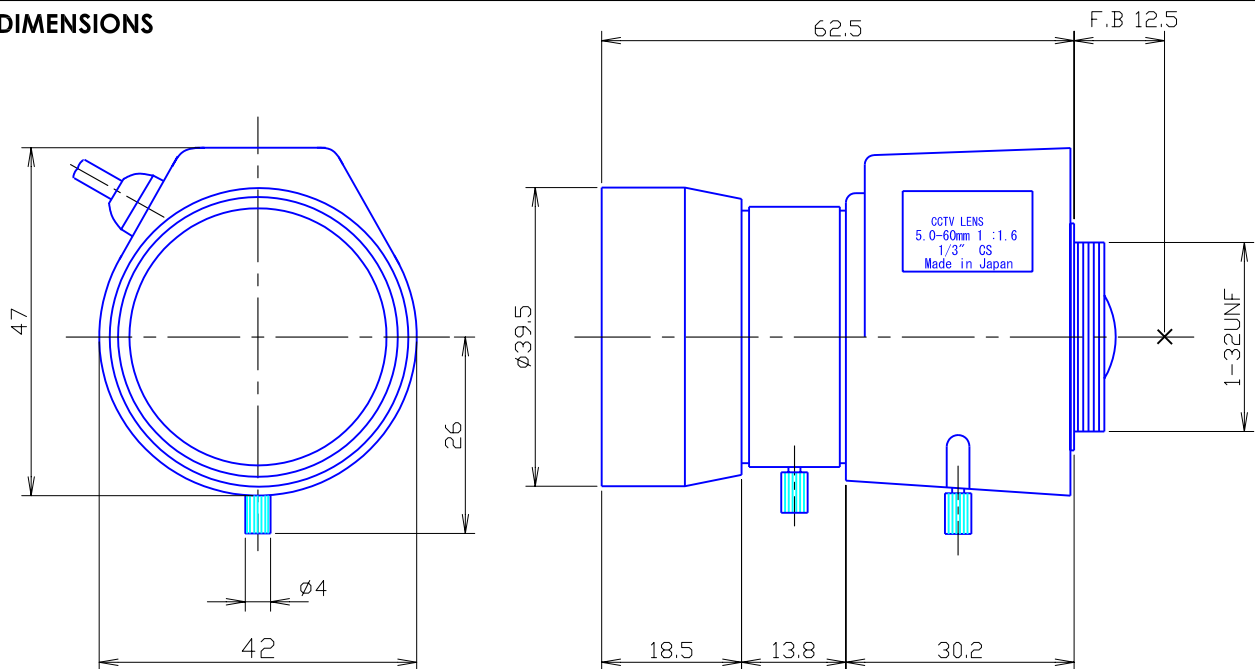
1/3" CS

MADE IN JAPAN



Type	AI VARI		Mount	CS		
Focal Length	5.0~60mm		Back Focus	7.42mm		
Fno.	F1.6		Mechanical Bf	12.5mm		
Designed Image Format	1/3"(4.8x3.6mm)		Exit Pupil	—		
Operation Range	Iris	F1.6~F360	Filter Size	—		
	Focus	0.3m ~ infinity	Aperture	Front	ø33.8mm	
	Zoom	5.0~60mm		Rear	ø8.6mm	
Control	Iris	DC Galvanometer	Dimention	42.0x47.0x62.5mm		
	Focus	Manual		Weight	123g	
	Zoom	Manual				
Object Size at MOD	Wide	—				
	Tele	—				
Field of View	D	1/3" 65.5°~5.8°	1/4"	50.1°~4.4°		
	H	52.5°~4.6°		39.4°~3.5°		
	V	39.4°~3.4°		30.5°~2.6°		
Control	Iris		Focus		Zoom	
Driving Coil/Supply Volt.	190Ω		—		—	
Damping Coil/Current	1150Ω		—		—	
Response Time	—		—		—	
Potentiometer	—		—		—	
Light Measuring Method	—					
Input Signal	—					
Iris Accuracy	—					
Sensitivity Adjustment	—					
Operating Temperature	-10 ~ +50 Celsius					

DIMENSIONS



Wiring Diagram

1) 4 Pin Standard Connector for Auto Iris

Pin No.1	Damping (-)
2	Damping (+)
3	Driving (+)
4	Driving (-)

