

3.3-8mm DC 1:1.4

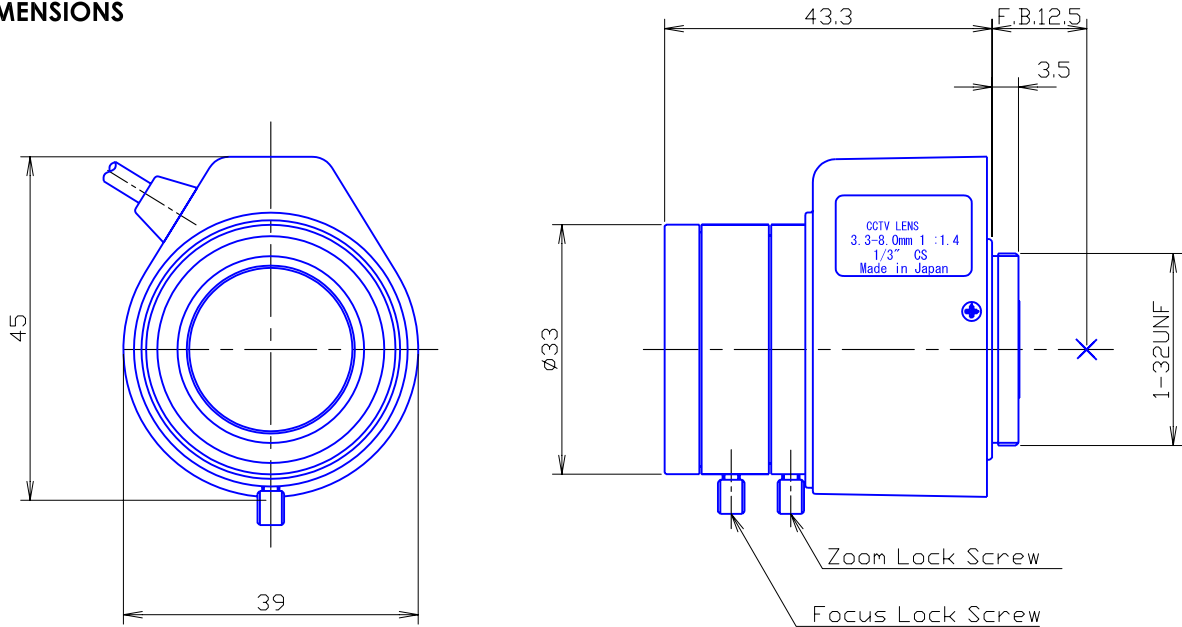
1/3" CS

MADE IN JAPAN



Type	AI VARI		Mount	CS		
Focal Length	3.3~8.0mm		Back Focus	8.81mm		
Fno.	F1.4		Mechanical Bf	12.5mm		
Designed Image Format	1/3"(4.8x3.6mm)		Exit Pupil	—		
Operation Range	Iris	F1.4~F360	Filter Size	—		
	Focus	0.3m ~ infinity	Aperture	Front	ø17.0mm	
	Zoom	3.3~8.0mm		Rear	ø8.6mm	
Control	Iris	DC Galvanometer	Dimention	39.0x45.0x43.3mm		
	Focus	Manual		Weight	47g	
	Zoom	Manual				
Object Size at MOD	Wide	—				
	Tele	—				
Field of View	D	1/3" 101.5°~43.3°	1/4" 78.1°~32.9°			
	H	81.1°~34.5°				
	V	60.4°~25.8°				
Control	Iris	Focus	Zoom			
Driving Coil/Supply Volt.	190Ω	—	—			
Damping Coil/Current	1150Ω	—	—			
Response Time	—	—	—			
Potentiometer	—	—	—			
Light Measuring Method	—					
Input Signal	—					
Iris Accuracy	—					
Sensitivity Adjustment	—					
Operating Temperature	-10 ~ +50 Celsius					

DIMENSIONS



Wiring Diagram

1) 4 Pin Standard Connector for Auto Iris

Pin No.1	Damping (-)
2	Damping (+)
3	Driving (+)
4	Driving (-)

