

2.8-12mm DC 1:1.4

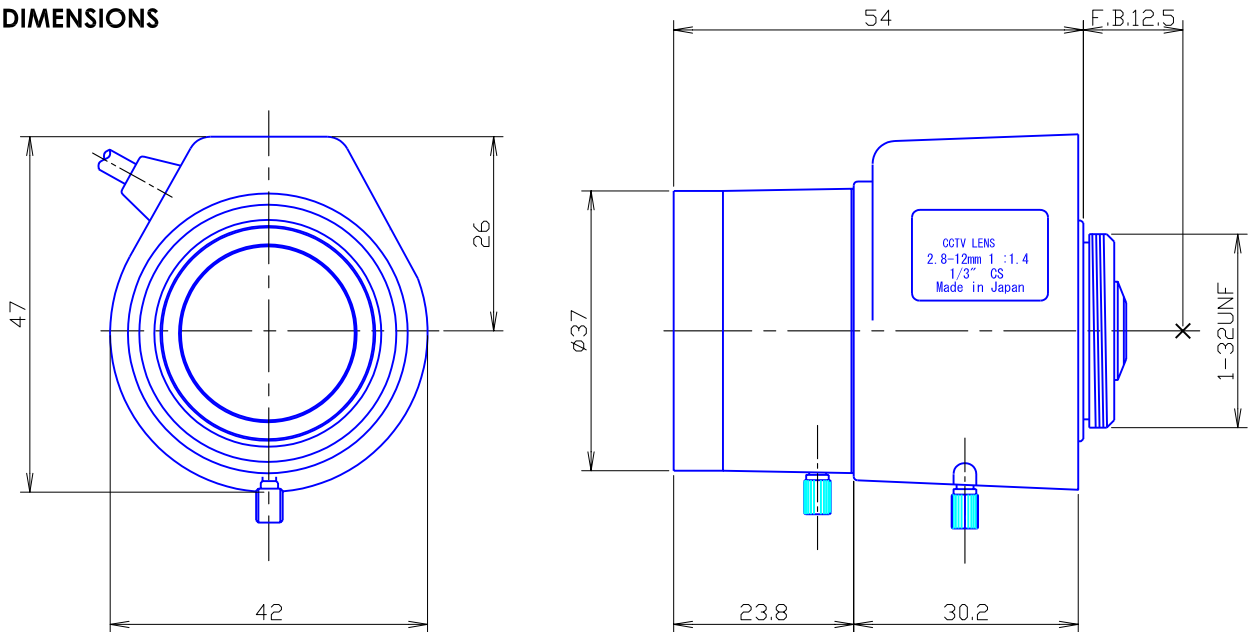
1/3" CS

MADE IN JAPAN



Type	AI VARI		Mount	CS		
Focal Length	2.8~12mm		Back Focus	6.72mm		
Fno.	F1.4		Mechanical Bf	12.5mm		
Designed Image Format	1/3"(4.8x3.6mm)		Exit Pupil	—		
Operation Range	Iris	F1.4—F360	Filter Size	—		
	Focus	0.3m ~ infinity	Aperture	Front	∅22.7mm	
	Zoom	2.8~12mm		Rear	∅6.9mm	
Control	Iris	DC Galvanometer	Dimension	42.0x47.0x54.0mm		
	Focus	Manual		Weight	61g	
	Zoom	Manual				
Object Size at MOD	Wide	—				
	Tele	—				
Field of View	D	1/3" 115.2°~28.5°	1/4" 90.6°~21.7°			
	H	92.2°~22.8°				
	V	69.1°~17.2°				
Control	Iris	Focus	Zoom			
Driving Coil/Supply Volt.	190Ω	—	—			
Damping Coil/Current	1150Ω	—	—			
Response Time	—	—	—			
Potentiometer	—	—	—			
Light Measuring Method	—					
Input Signal	—					
Iris Accuracy	—					
Sensitivity Adjustment	—					
Operating Temperature	-10 ~ +50 Celsius					

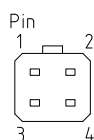
DIMENSIONS



Wiring Diagram

1) 4 Pin Standard Connector for Auto Iris

Pin No.1	Damping (-)
2	Damping (+)
3	Driving (+)
4	Driving (-)



Subject to change without notice